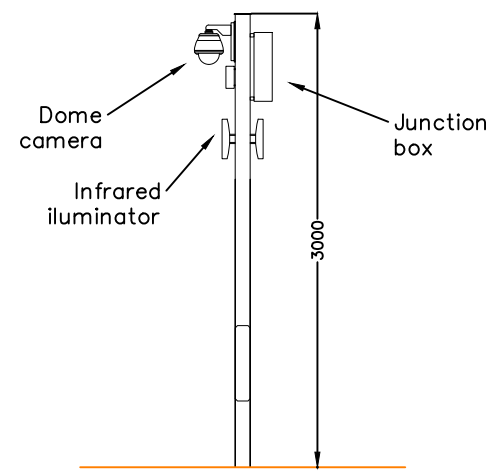
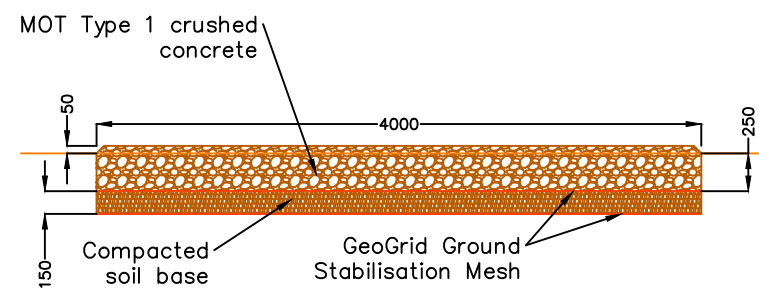


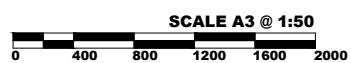
Timber post & wire fence



CCTV pole



Access track cross section



REVISIONS:

- Initial design

NOTES:

-



DATE: 15 September 2020

TITLE:
Typical Fence, Track & CCTV

PROJECT TITLE:
Mytons

LOCATION:
TF6 6BP

CONFIGURATION:
-

REV: A

FILENAME: Typical Fence, Track & CCTV Details.dwg